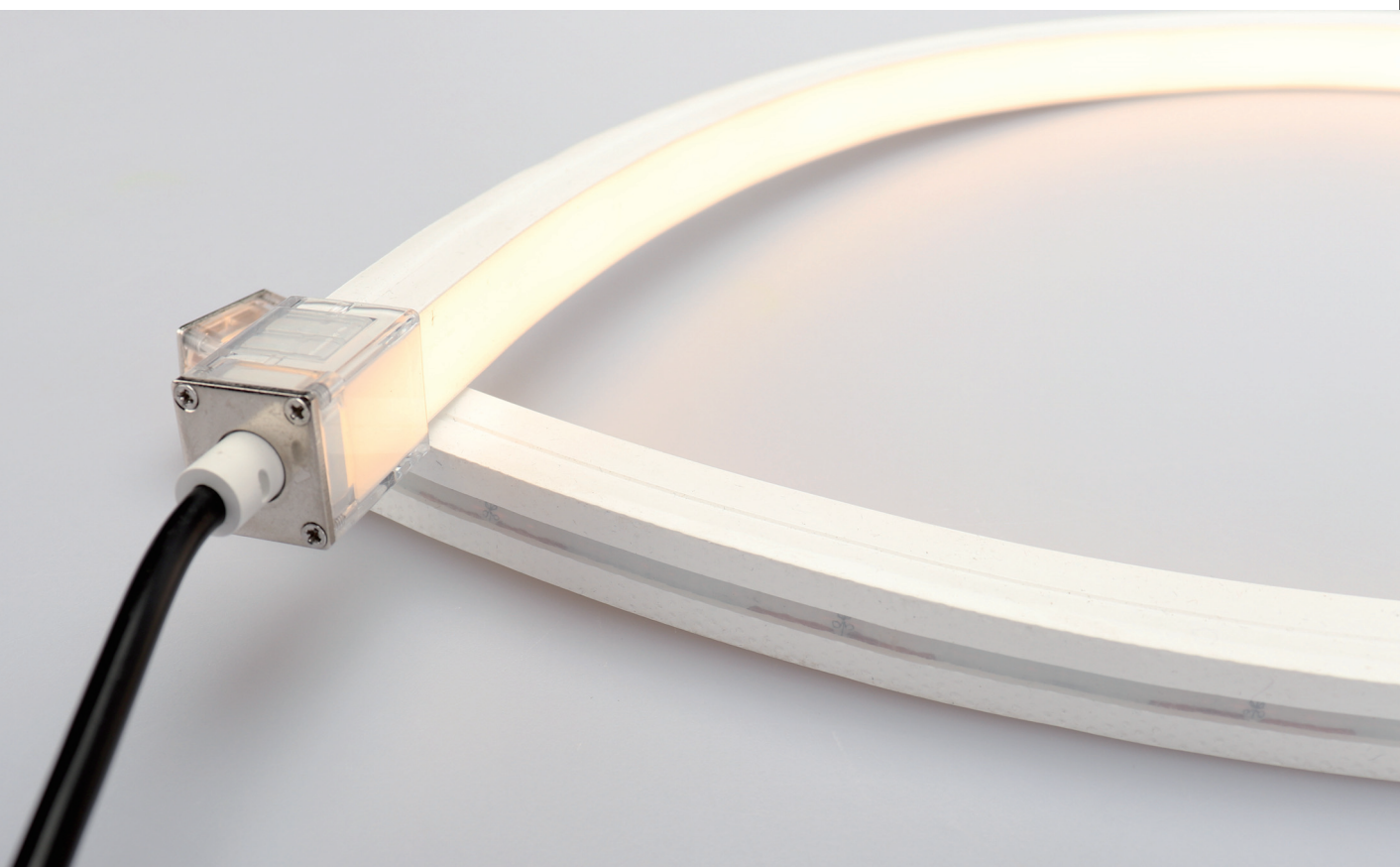


Bellaluce

BEAUTIFUL LIGHTS 4 BEAUTIFUL PEOPLE

IP65 / IP67 NEON 1615 24V TOP VIEW



Regular power 5W/m, 10W/m and 15W/m for option

Max length 35 meters with one end power

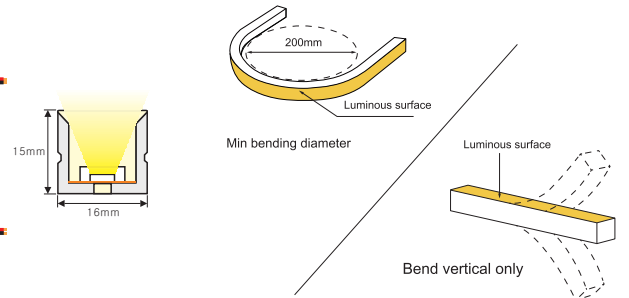
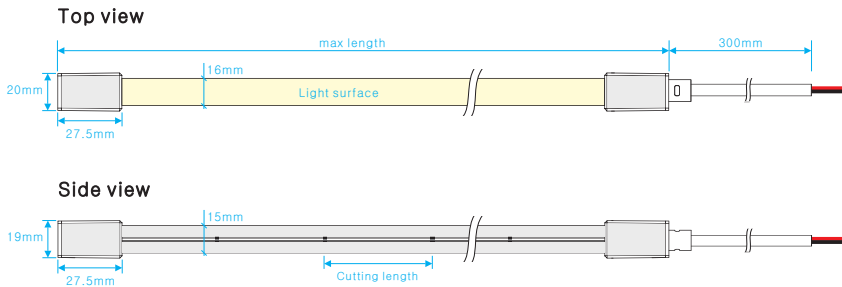
Soldering-free and silicone end cap

Eight CCT optional from 2100K to 6150K

2100K 2400K 2700K 3000K 3550K 4090K 5050K 6150K 2500K 5800K



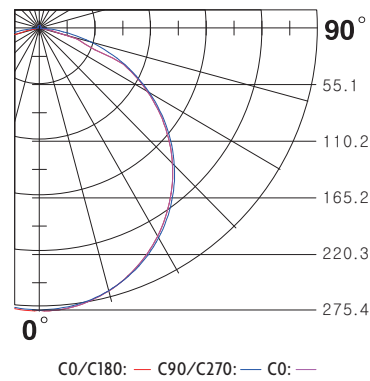
Dimensions & Waterproof



Product specification

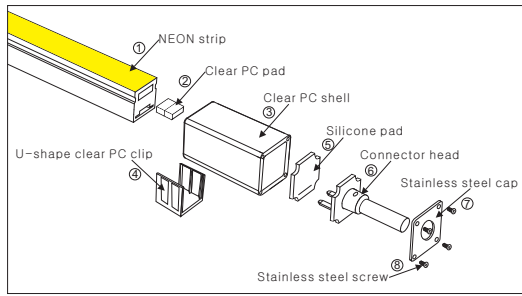
Voltage	DC24 V
CRI/Ra	>90
Ambient temperature	-25°C~45°C
Color Type	Cutting length(mm)
Single color	50mm
Tunable white	50mm
RGB color	62.5mm
RGBW color	62.5mm
SPI RGB color	62.5mm

Polar curve (The data base on 15W 6000K)

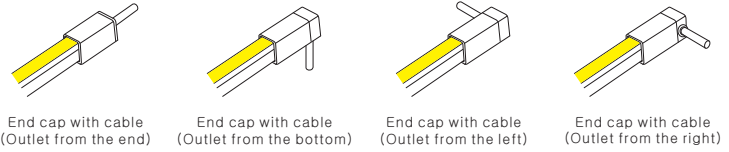


Installation of solder-free connector with cable

Explosive drawing of Solder-free connector with cable



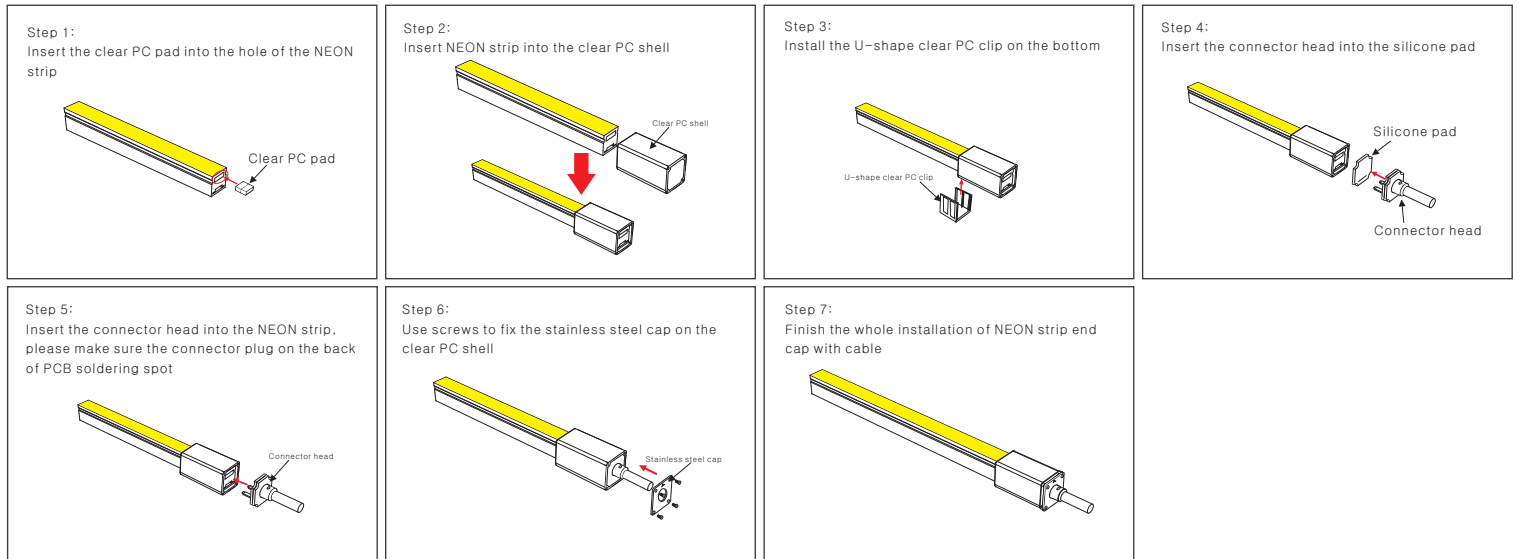
Cable outlet



Note:

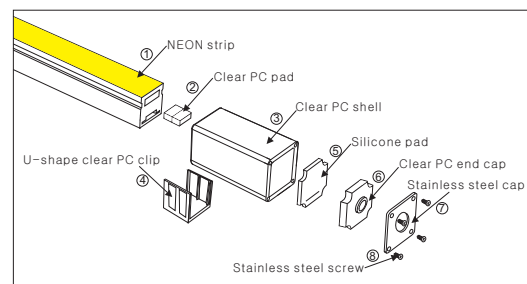
1. The same installation step suit for different outlet cable of the connector
2. Please keep the cutting place as flat as possible to achieve better waterproof effect.
3. This installation instruction is suitable of all the solder-free connector with similar structures.

Installation instruction of Solder-free connector with cable

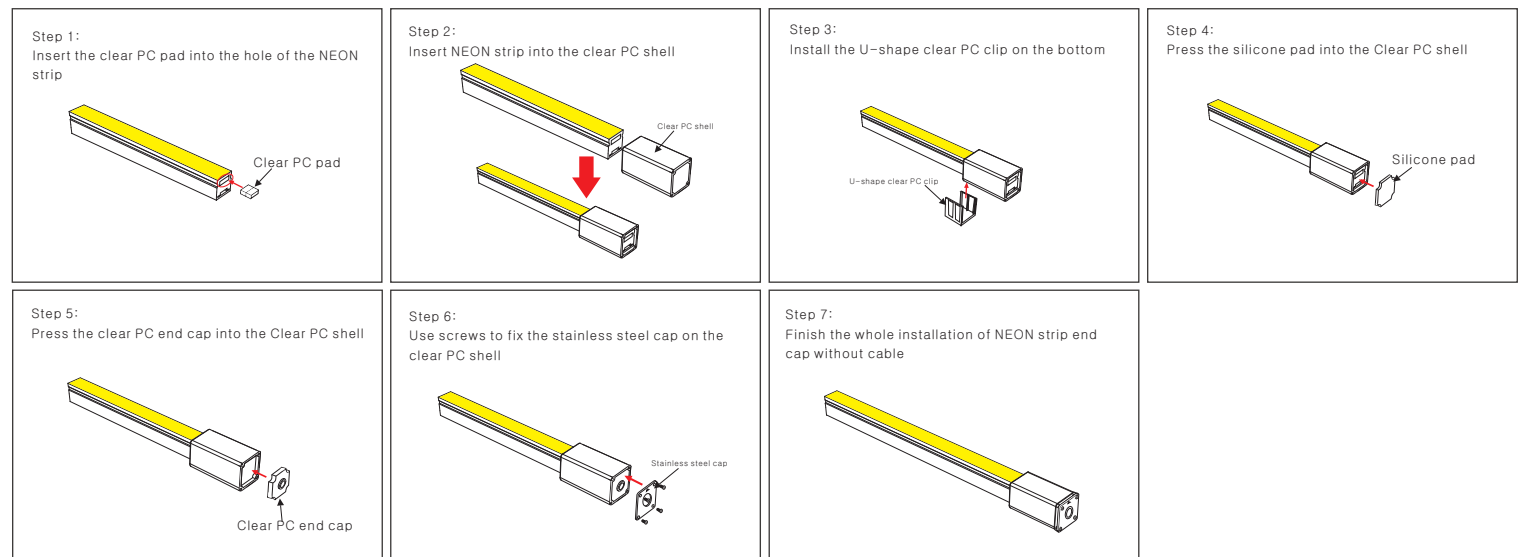


Installation of solder-free connector without cable

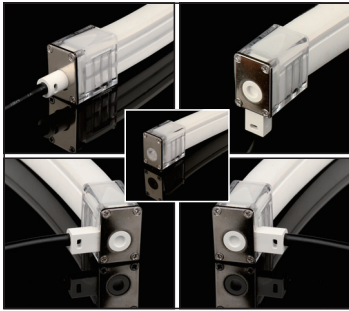
Explosive drawing of Solder-free connector without cable



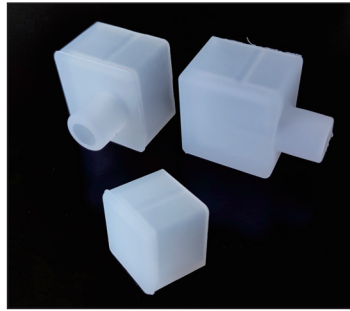
Installation instruction of Solder-free connector without cable



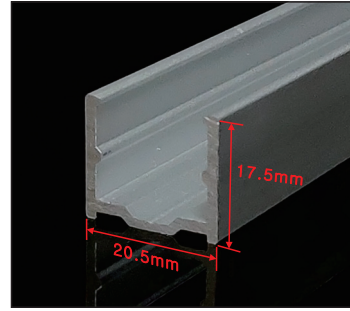
Accessory



IP65 Solder-free endcap



IP67 Silicone end cap



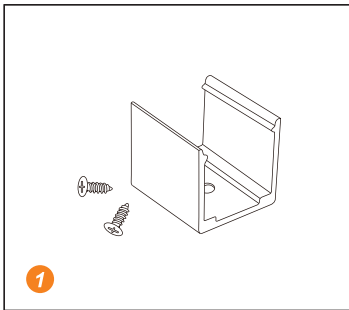
Mounting clip(length: 2cm)
Mounting channel(length: 1m, 2m,3m)



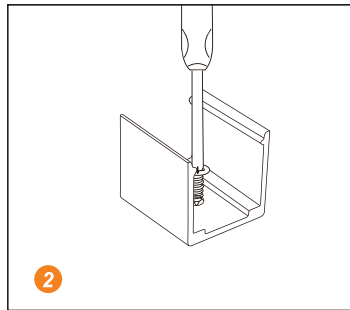
Scissors with angular scale

NOTE: IP65 version, solderless endcap fix by screw, more convenient: IP67 version, silicone endcap fix by silicone glue, more reliable.

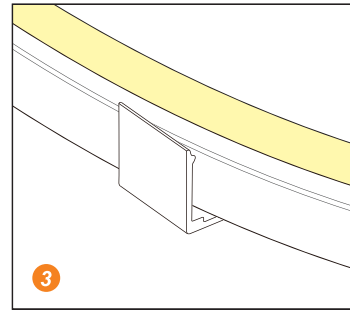
Installation



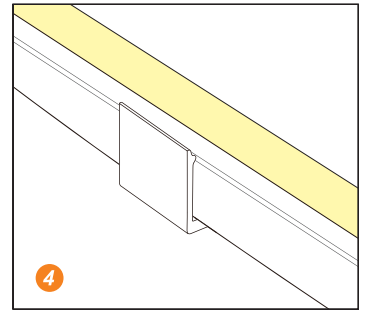
1 Prepare the screws and mounting clips



2 Adjust the fixed clips to the appropriate place, use a screwdriver to fix the screw.



3 Put the light emitting surface upwards, then insert the LED strip into the fixed clips.



4 Fix NEON strip completely into the fixed clip.