



## Specifications & Data Sheet

**Rev:** ver.0001  
**Job:**  
**Type:**  
**Product Code:** BL-BA-WP1200E

### DESCRIPTION

**Mounting:** Surface  
**Luminaire Type:** Emergency Batten  
**Beam Angle:** Wide  
**Rating:** IP 66 / IK 08

### FINISH

**Body:** Poly Carbonated  
**Colour/Trim:** Grey  
**Reflector:** Built-in

### DIMENSIONS

**Size:** 650 x 130 x 93mm (L x W x H)  
**Cut-out:** N.A

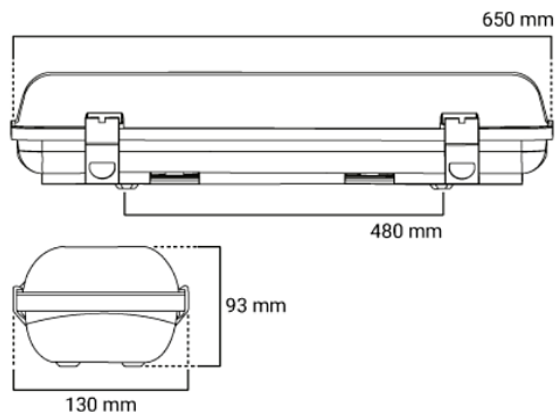
### CONTROL

**Circuit:** Single  
**Dimming Protocol:** Switched  
**Control Gear:** Integral

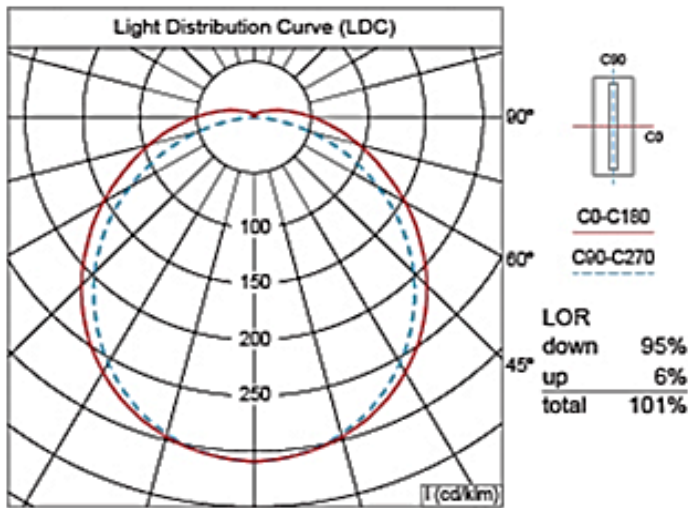
### LAMP

**Manufacturer:** OSRAM  
**Wattage:** 20W  
**Voltage:** 240V  
**Lumen Output:** 100 lm/w  
**Colour Temp:** 4000K  
**CRI:** ≥80  
**Life (hrs):** 50,000 hr

### ACCESSORIES



## Photometric / Distribution



Reflectances			Room Index								
C	W	F	0.75	1.0	1.25	1.5	2.0	2.5	3.0	4.0	5.0
70	50	20	57	65	72	77	84	89	93	97	100
70	30	20	49	57	64	70	78	83	87	92	96
70	10	20	43	51	58	64	72	78	82	88	93
50	50	20	54	62	69	73	80	85	88	92	95
50	30	20	48	55	62	67	75	80	83	88	92
50	10	20	42	50	57	62	70	75	79	85	89
30	50	20	52	59	66	70	76	80	83	87	90
30	30	20	46	53	60	65	72	76	80	84	87
30	10	20	42	49	56	61	68	73	76	81	85
0	0	0	39	46	52	57	63	68	71	76	79
<b>BZ-class</b>			5	5	5	5	5	5	5	5	5
			<b>SHR<sub>nom</sub> : 1.50</b>				<b>SHR<sub>max</sub> : 1.599</b>				

- \* Remote Control Gear to be in a dry, accessible location. Contractor to coordinate location onsite.
- \* Electrical contractor to ensure all cable lengths and thickness from remote control gear to luminaires are as per manufacturer recommendations to eliminate issues such as voltage drop.
- \* Where low voltage dimming is required, the contractor must ensure the supplied transformer is compatible with the specified control system to enable smooth dimming 100% to 0%.
- \* Dimensions shown including cut-out sizes should be confirmed with the luminaire manufacturer.
- \* Where a transformer / ballast / control gear is required such equipment shall be purchased from specified lamp manufacturer or confirmed as suitable by the lamp manufacturer.
- \* We Reserve right to change specification at any time without notice.
- \* Warranty 3 years lamp and gear for all off the shelf LED products.