

Specifications & Data Sheet

Rev: ver.001
Job:
Type:
Product Code: BL-LB-150

DESCRIPTION

Mounting: Recessed
Luminaire Type: Downlight
Beam Angle: Medium
Rating: IP 65

FINISH

Body: Aluminium
Colour/Trim: White
Reflector: Built-in

DIMENSIONS

Size: 400 x 400 x 266mm (L x W x H)
Cut-out: N.A

CONTROL

Circuit: Single
Dimming Protocol: Switched
Control Gear: Built-in

LAMP

Manufacturer: OSRAM
Wattage: 150w
Voltage: 240v
Lumen Output: 140 lm/w
Colour Temp: 4000K
CRI: >90
Life (hrs): 50,000

ACCESSORIES

* For Terms & Condition's visit bellalucelighting.com.au/terms

Specifications & Data Sheet

Rev: ver.01.1
Job:
Type:
Product Code: **BL-SM-LB150W**

DESCRIPTION

Mounting: Surface
Luminaire Type: Lowbay Light
Beam Angle: Medium
Rating: IP65

FINISH

Body: Aluminium
Colour/Trim: White
Reflector/Diffuser: Built-in

DIMENSIONS

Size: 436 x 436 x 98mm (L x W x H)
Other: n/a

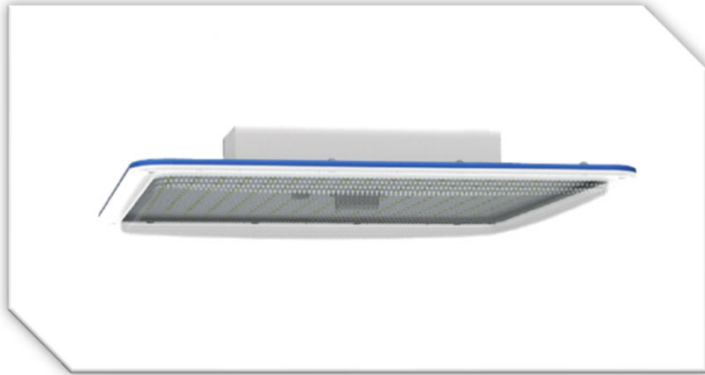
CONTROL

Circuit: Single
Dimming Protocol: Switched
Control Gear: Built-in

LAMP

Manufacturer: OSRAM
Wattage: 150w
Voltage: 240v
Lumen Output: 21000lm
Colour Temp: 4000K
CRI: >80
Avg. Life (hrs): 50,000

ACCESSORIES



* For Terms & Conditions visit www.bellalucelighting.com.au/terms

Specifications & Data Sheet

Rev: ver.01.1
Job:
Type:
Product Code: **BL-CANOPY3030**

DESCRIPTION

Mounting: Surface
Luminaire Type: Lowbay
Beam Angle: Wide
Rating: IP65

FINISH

Body: Aluminium
Colour/Trim: Black
Reflector/Diffuser: Built-in

DIMENSIONS

Size: mm (D x H)
Other: n/a

CONTROL

Circuit: Single
Dimming Protocol: Switched
Control Gear: Built-in

LAMP

Manufacturer: OSRAM
Wattage: Up to 80w
Voltage: 24v
Lumen Output: 120 lm/w
Colour Temp: 5000K
CRI: >80
Life (hrs): 50,000

ACCESSORIES



Specifications & Data Sheet

Rev: ver.01.1
Job:
Type:
Product Code: **BL-DL100**



DESCRIPTION

Mounting: Surface
Luminaire Type: Lowbay
Beam Angle: Medium
Rating: IP65

FINISH

Body: Aluminium
Colour/Trim: White
Reflector/Diffuser: Built-in

DIMENSIONS

Size: 430 x 430 x 430mm (L x W x H)
Other: n/a

CONTROL

Circuit: Single
Dimming Protocol: Switched
Control Gear: Built-in

LAMP

Manufacturer: OSRAM
Wattage: 100w
Voltage: 240v
Lumen Output: 140 lm/w
Colour Temp: 4000K
CRI: >90
Life (hrs): 60,000

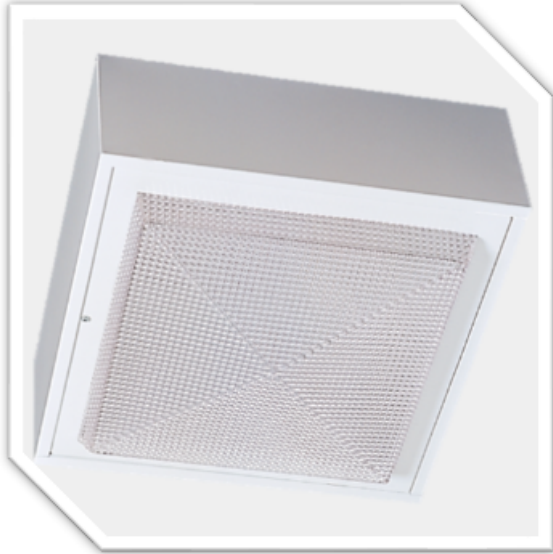
ACCESSORIES



* For Terms & Conditions visit www.bellalucelighting.com.au/terms

Specifications & Data Sheet

Rev: ver.02.1
Job:
Type:
Product Code: BL-LB-400



DESCRIPTION

Mounting: Surface
Luminaire Type: LED Low bay
Beam Angle: Medium
Rating: IP 65

FINISH

Body: Aluminium
Colour/Trim: White
Reflector: Built-in

DIMENSIONS

Size: 417 x 417 x 260mm (L x W)
Cut-out: N.A

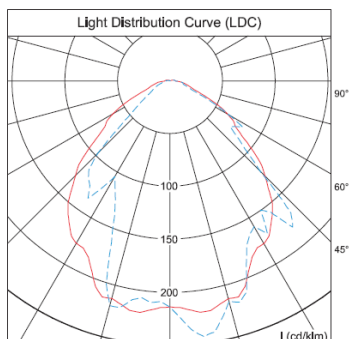
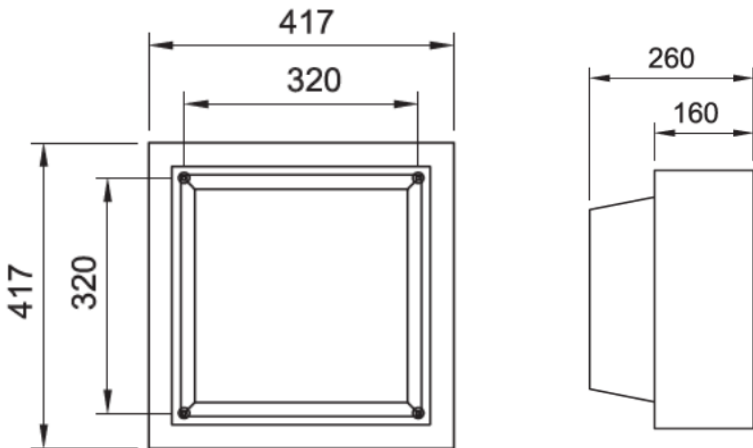
CONTROL

Circuit: Single
Dimming Protocol: Switched
Control Gear: Built-in

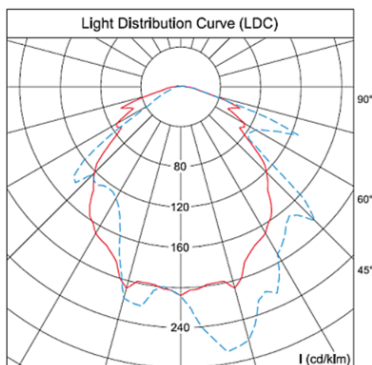
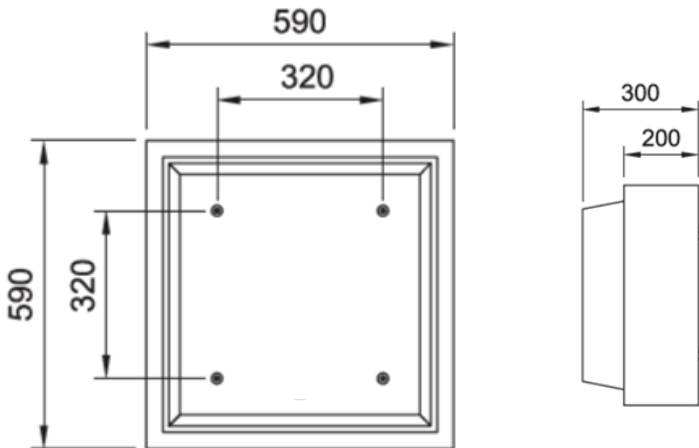
LAMP

Manufacturer: OSRAM
Wattage: 250w
Voltage: 240v
Lumen Output: 130 lm/w
Colour Temp: 5000K
CRI: >85
Avg. Life (hrs): 50,000

ACCESSORIES



* For Terms & Conditions visit www.bellalucelighting.com.au/terms



Specifications & Data Sheet

Rev: ver.02.1
Job:
Type:
Product Code: **BL-LB600**

DESCRIPTION

Mounting: Surface
Luminaire Type: LED Low bay
Beam Angle: Medium
Rating: IP65

FINISH

Body: Aluminium
Colour/Trim: White
Reflector: Built-in

DIMENSIONS

Size: 590 x 590 x 300mm (L x W x H)
Cut-out: N.A

CONTROL

Circuit: Single
Dimming Protocol: Switched
Control Gear: Built-in

LAMP

Manufacturer: OSRAM
Wattage: 250w
Voltage: 240v
Lumen Output: 130 lm/w
Colour Temp: 5000K
CRI: >85
Avg. Life (hrs): 50,000

ACCESSORIES

Specifications & Data Sheet

Rev: ver.001
Job:
Type:
Product Code: Drop Lens

DESCRIPTION

Mounting: Surface
Luminaire Type: Lowbay
Beam Angle: Medium
Rating: IP 65

FINISH

Body: Aluminium
Colour/Trim: White
Reflector: Built-in

DIMENSIONS

Size: 400 x 400 mm (L x W)
Cut-out: N.A

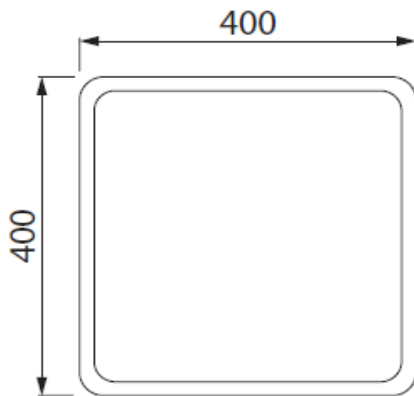
CONTROL

Circuit: Single
Dimming Protocol: Switched
Control Gear: Built-in

LAMP

Manufacturer: OSRAM
Wattage: 114w
Voltage: 240v
Lumen Output: 140 lm/w
Colour Temp: 4000K
CRI: >90
Life (hrs): 50,000

ACCESSORIES



* For Terms & Condition's visit bellalucelighting.com.au/terms