

Fashion series

- Recessed light source.
- Black Anti-Glare.
- Simple lamp installation.

Fashion series



FASHION SERIES SURFACE MOUNTING /TRACK SPOT LIGHTS

- Recessed light source.
- Black Anti-Glare.
- Alloy aluminum housing.
- Simple lamp installation.



FASHION SERIES SURFACE MOUNTING /TRACK SPOT LIGHTS

Anti Glare ring, Glare control, clear layered look

Standards bulds design, easy installation



Electrostatic sand powder coating, fadeless, against scratch, high corrosion resistance, graceful texture design

Extruded aluminium material, angular appearance, pleasingly simple design, light but strong






Options


LED Brand



PHILIPS




OSRAM




MEGAMAN


Driver



Driver:
PHILIPS



Driver:
HEP




Driver:
MEAN WELL

COB Color temperature

3000K
 4000K
 5000K


COB Beam angle



15°




24°



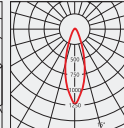
36°

Photometric

CXA 1512/1507 24D
max. 1700cd/km



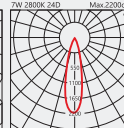
PHILIPS MASTER LEDspotMV
1.5-30W 2SD GU10 Max. 1211cd



OSRAM GU10 PAR16
4.9W 2700K 24D Max. 4000cd/km



MEGAMAN GU10 PAR16
2W 3000K 24D Max. 2200cd



LED

BL-C6741







Optional colors

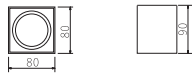

⊕

EA0A
GU10 LED-PAR16
1 x max.7W

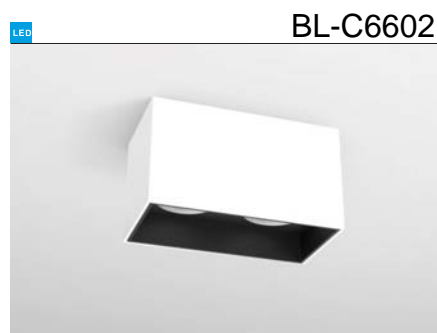
CE
RoHS
REACH
F
IP20
112



BL-C6601



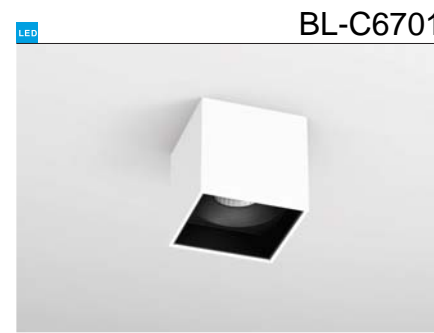
Optional colors



BL-C6602



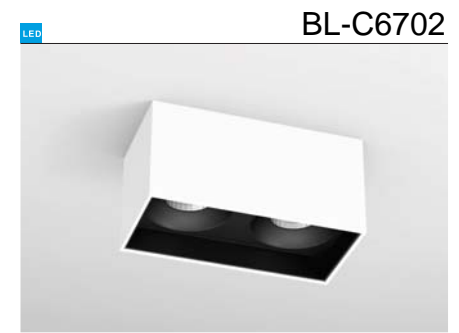
Optional colors



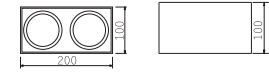
BL-C6701



Optional colors



BL-C6702



Optional colors



ZA3A
CREE XLamp CXA 1507
3000K Ra≥80
200mA LED Driver
1 x 9W 730lm 24°



ZA3A
CREE XLamp CXA 1507
3000K Ra≥80
200mA LED Driver
2 x 9W 730lm 24°



ZA3A
CREE XLamp CXA 1512
3000K Ra≥80
350mA LED Driver
1 x 15W 1290lm 24°



ZA3A
CREE XLamp CXA 1512
3000K Ra≥80
350mA LED Driver
2 x 15W 1290lm 24°



EA0A
GU10 QPAR16
1 x max.50W

EA0A
GU10 LED-PAR16
1 x max.7W



EA0A
GU10 QPAR16
2 x max.50W


EA0A
GU10 LED-PAR16
2 x max.7W






Options


LED Brand



PHILIPS




OSRAM




MEGAMAN


COB Beam angle



15°



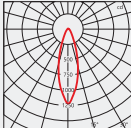
24°



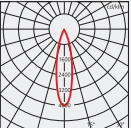
36°

Photometric

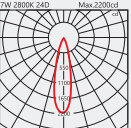
PHILIPS MASTER LEDspotMV
3.5-50W 24D GU10 Max: 1211cd



OSRAM GU10 PAR16
4.8W 2700K 24D Max: 4000cd/klm




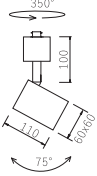
MEGAMAN GU10 PAR16
2W 3000K 24D Max: 2200cd




BL-D8161

LED











Optional colors



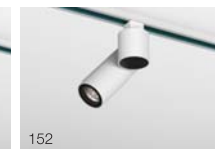
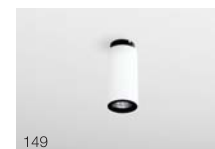
EA0A
GU10 LED-PAR16
1 x max.7W

Tube-shaped series

- With black Anti-Glare ring.
- Simple lamp installation.
- Simple installation.

Tube-shaped series




TUBE-SHAPED SERIES SURFACE MOUNTING /TRACK SPOT LIGHTS

- Aluminum housing thickness 2mm.
- With black Anti-Glare ring.
- Heat conducting silicone grease.




Options


LED Brand



PHILIPS




OSRAM




MEGAMAN

Driver



Driver:
HEP



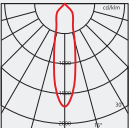
Driver:
MEAN WELL

COB Color temperature

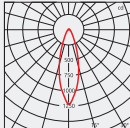
3000K
 4000K
 5000K

Photometric

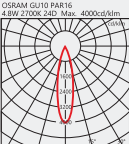
CXA 1512/1507 24D
max. 1700cd/klm



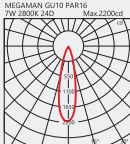
PHILIPS MASTER LEDspotMV
5-50W 25D GU10 Max. 1211cd



OSRAM GU10 PAR16
48W 2700K 24D Max. 4000cd/klm



MEGAMAN GU10 PAR16
7W 2800K 24D Max. 2200cd



BL-C6271




Optional colors







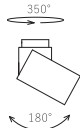
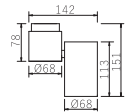




EA0A GU10 QPAR16 1 x max.50W	EA0A GU10 LED-PAR16 1 x max.7W
---	---

BL-C6161



Optional colors

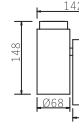
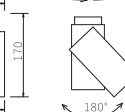





EA0A GU10 QPAR16 1 x max.50W	EA0A GU10 LED-PAR16 1 x max.7W
---	---

BL-C6571

Optional colors


ZA3A CREE XLamp CXA 1512 3000K Ra>80 350mA LED Driver 1 x 15W 1290lm 24°	GA0A GU5.3 LED-MR16 12V 1 x max.7W
GA0A GU5.3 QR-CBC 12V 1 x max.50W	EA0A GU10 LED-PAR16 1 x max.7W






Options


LED Brand



PHILIPS




OSRAM




MEGAMAN

Driver



Driver:
HEP


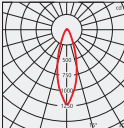
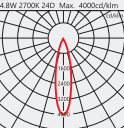
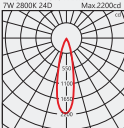


Driver:
MEAN WELL


COB Color temperature

3000K
 4000K
 5000K

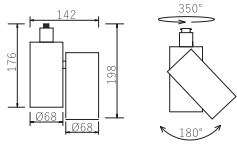
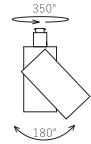
Photometric

<p><small>CXA 1512/1507 240 max. 1700cd/klm</small></p> 	<p><small>PHILIPS MASTER LEDspotMV 5.5-50W 250 GU10 Max. 1211cd</small></p> 
<p><small>OSRAM GU10 PAR16 4.5W 2700K-240 Max. 4000cd/klm</small></p> 	<p><small>MEGAMAN GU10 PAR16 7W 2800K-240 Max. 2200cd</small></p> 



BL-D8021



Optional colors






ZA3A
CREE XLamp CXA 1512
3000K Ra>80
350mA LED Driver
1 x 15W 1290lm 24°






GA0A
GU5.3 QR-CBC
12V
1 x max.50W


GA0A
GU5.3 LED-MR16
12V
1 x max.7W

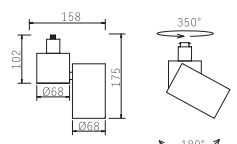
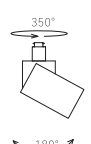
EA0A
GU10 LED-PAR16
1 x max.7W

BL-D8011





Optional colors






EA0A
GU10 QPAR16
1 x max.50W

EA0A
GU10 LED-PAR16
1 x max.7W

EA0A
GU10 LED-PAR16
1 x max.7W



Elegance series

Elegance series

- Four versions of different colour powder coating .
- Anti Glare Design.
- Easy installation(to change the bulb).



ELEGANCE SERIES SURFACE MOUNTING /WALL/TRACK SPOT LIGHTS

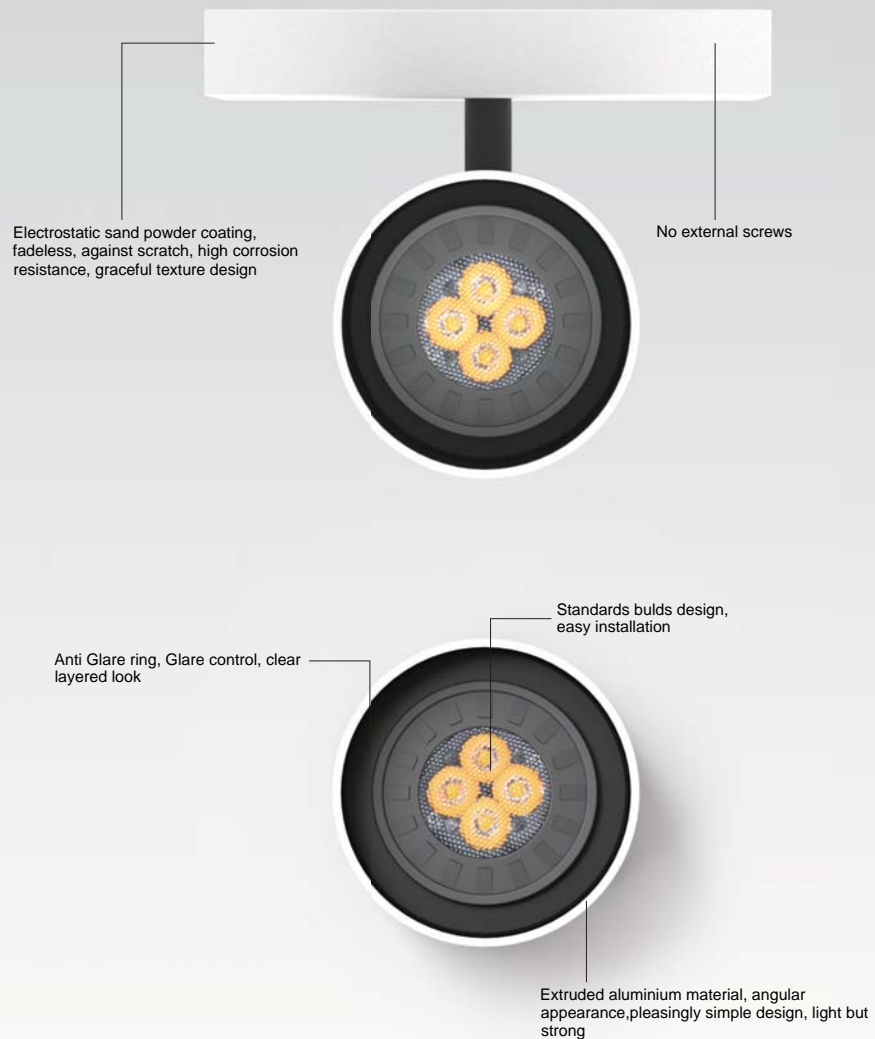
- Four versions of different colour powder coating .
- Anti Glare Design.
- Easy installation(to change the bulb).

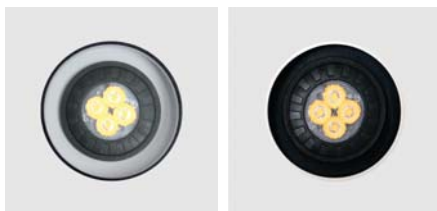


ELEGANCE SERIES

SURFACE MOUNTING

WALL/TRACK SPOT LIGHTS





Options

LED Brand

PHILIPS

OSRAM

MEGAMAN

Driver

Driver:
HEP

Driver:
MEAN WELL

COB Color temperature

3000K
 4000K
 5000K

Photometric

CXA 1512/1507 240
max. 1700cd/klm

PHILIPS MASTER LEDTRACK SPOTMV
5.5-30W 25SD GU10 Max. 1211cd

OSRAM GU10 PAR16
4-5W 2700K-240 Max. 4000cd/klm

MEGAMAN GU10 PAR16
7W 2800K-240 Max. 2200cd

BL-C6591

Optional colors

ZA3A
CREE XLamp CXA 1512
3000K Ra>80
350mA LED Driver
1 x 15W 1290lm 24°

EA0A
GU10 QPAR16
1 x max.50W

EA0A
GU10 LED-PAR16
1 x max.7W

BL-C6881

Optional colors

ZA3A
CREE XLamp CXA 1507
3000K Ra>80
200mA LED Driver
1 x 9W 730lm 24°

ZB3A
CREE XLamp CXA 1512
3000K Ra>80
350mA LED Driver
1 x 15W 1290lm 24°

ZC3A
CREE XLamp CXA 2520
3000K Ra>80
500mA LED Driver
1 x 20W 1900lm 24°

ZD3A
CREE XLamp CXA 2520
3000K Ra>80
700mA LED Driver
1 x 30W 2500lm 24°



LED **BL-C6691**



Optional colors




ZA3A
CREE XLamp CXA 1512
3000K Ra>80
350mA LED Driver
1 x 15W 1290lm 24°






Options


LED Brand



PHILIPS



OSRAM



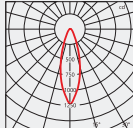
MEGAMAN

COB Color temperature

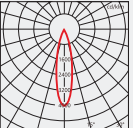
3000K
 4000K
 5000K

Photometric

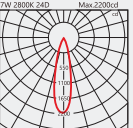
PHILIPS MASTER LEDTRACK SPOTMV
5.5-50W 25D GU10 Max. 1211cd




OSRAM GU10 PAR16
4.8W 2700K 24D Max. 4000cd/klm

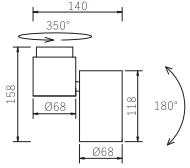


MEGAMAN GU10 PAR16
2W 3000K 24D Max. 2200cd



BL-C6771







Optional colors

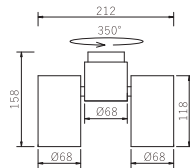
EA0A
GU10 QPAR16
1 x max.50W

EA0A
GU10 LED-PAR16
1 x max.7W



BL-C6772




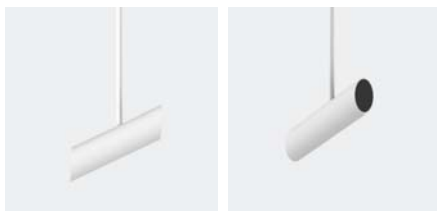


Optional colors

EA0A
GU10 QPAR16
2 x max.50W


EA0A
GU10 LED-PAR16
2 x max.7W






Options


LED Brand



PHILIPS



OSRAM



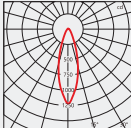
MEGAMAN

COB Color temperature

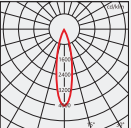
3000K
 4000K
 5000K

Photometric

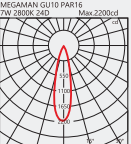
PHILIPS MASTER LEDTRACK SPOTMV
5.5-50W 25D GU10 Max. 1211cd




OSRAM GU10 PAR16
4.8W 2700K 24D Max. 4000cd/61m

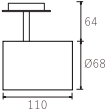


MEGAMAN GU10 PAR16
2W 3000K 24D Max. 2200cd



BL-C6811







Optional colors

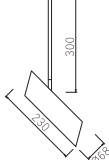
EA0A
GU10 QPAR16
1 x max.50W

EA0A
GU10 LED-PAR16
1 x max.7W



BL-C6711






Optional colors

EA0A
GU10 QPAR16
1 x max.50W


EA0A
GU10 LED-PAR16
1 x max.7W






Options


LED Brand



PHILIPS




OSRAM



MEGAMAN

Driver

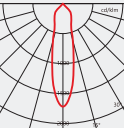
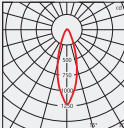
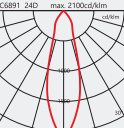
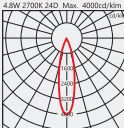


Driver:
HEP


COB Color temperature

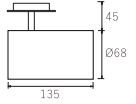
3000K
 4000K
 5000K

Photometric

<p>CXA 1512/1507 24D max. 1700cd/klm</p> 	<p>PHILIPS MASTER LEDTRACK SPOTMV 5.5-50W 25D GU10 Max. 1211cd</p> 
<p>C6891 24D max. 2100cd/klm</p> 	<p>OSRAM GU10 PAR16 4.8W 2750K 24D Max. 4000cd/klm</p> 


LED BL-C6871












45
Ø68
135

Optional colors




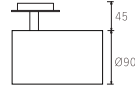
ZA3A
CREE XLamp CXA 1512
3000K Ra>80
350mA LED Driver
1 x 15W 1290lm 24°




LED BL-C6891







45
Ø90
140

Optional colors










ZA3A
CREE XLamp CXA 2520
3000K Ra>80
500mA LED Driver
1 x 20W 1900lm 24°

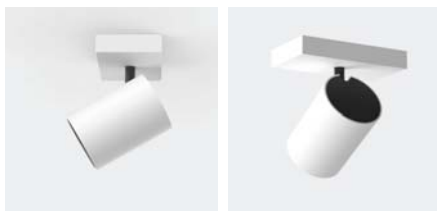




ZA3B
CREE XLamp CXA 2520
3000K Ra>80
700mA LED Driver
1 x 30W 2500lm 24°







Options


LED Brand



PHILIPS




OSRAM




MEGAMAN


Driver



Driver: PHILIPS



Driver: HEP



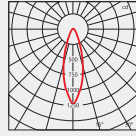
Driver: MEAN WELL

COB Color temperature

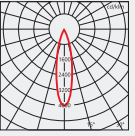
3000K
 4000K
 5000K

Photometric

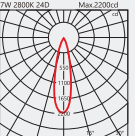
PHILIPS MASTER LEDTRACK SPOTMV
5.5-50W 25SD GU10 Max. 1211cd




OSRAM GU10 PAR16
4.8W 2700K 24D Max. 4000cd/klm



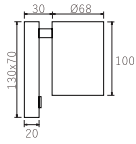
MEGAMAN GU10 PAR16
2W 3000K 24D Max. 2200cd



BL-C6801




Optional colors




EA0A
GU10 QPAR16
1 x max.50W

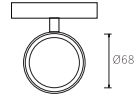
EA0A
GU10 LED-PAR16
1 x max.7W



BL-C6721

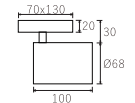


Optional colors

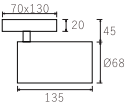



EA0A
GU10 QPAR16
1 x max.50W

EA0A
GU10 LED-PAR16
1 x max.7W



ZA3A
CREE XLamp CXA 1512
3000K Ra>80
350mA LED Driver
1 x 15W 1290lm 24°



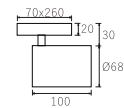


BL-C6722

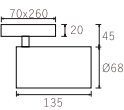


EA0A
GU10 QPAR16
2 x max.50W

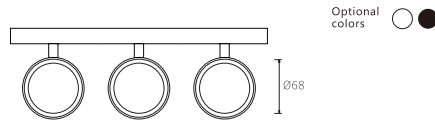
EA0A
GU10 LED-PAR16
2 x max.7W



ZA3A
CREE XLamp CXA 1512
3000K Ra≥80
350mA LED Driver
2 x 15W 1290lm 24°

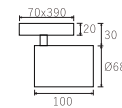


BL-C6723

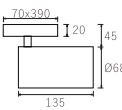


EA0A
GU10 QPAR16
3 x max.50W

EA0A
GU10 LED-PAR16
3 x max.7W



ZA3A
CREE XLamp CXA 1512
3000K Ra≥80
350mA LED Driver
3 x 15W 1290lm 24°





Options

LED Brand

PHILIPS	OSRAM	MEGAMAN

Photometric

<p>PHILIPS MASTER LEDTRACK SPOTMV 5.5-50W 25D GU10 Max. 1211cd</p>	<p>OSRAM GU10 PAR16 4.8W 2700K 24D Max. 4000cd/klm</p>	
		<p>MEGAMAN GU10 PAR16 2W 2700K 24D Max. 2200cd</p>

BL-D8211

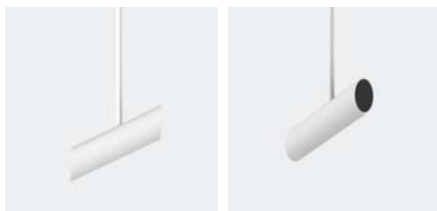
Optional colors

<p>EA0A GU10 QPAR16 1 x max.50W</p>	<p>EA0A GU10 LED-PAR16 1 x max.7W</p>
--	--

BL-D8212

Optional colors

<p>EA0A GU10 QPAR16 2 x max.50W</p>	<p>EA0A GU10 LED-PAR16 2 x max.7W</p>
--	--



Options

LED Brand



PHILIPS

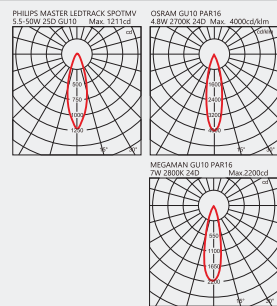


OSRAM

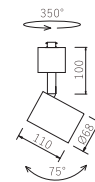


MEGAMAN

Photometric



LED BL-D8031



Optional colors

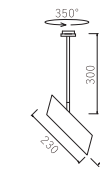


EA0A
GU10 QPAR16
1 x max.50W

EA0A
GU10 LED-PAR16
1 x max.7W



LED BL-D8081



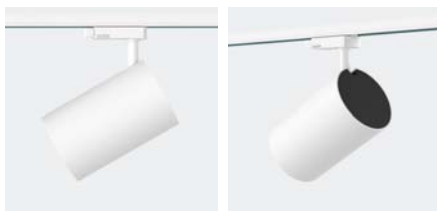
Optional colors



EA0A
GU10 QPAR16
1 x max.50W


EA0A
GU10 LED-PAR16
1 x max.7W






Options


LED Brand



PHILIPS




OSRAM



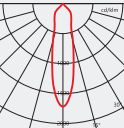
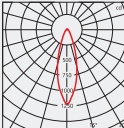
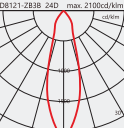
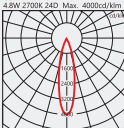
MEGAMAN

Driver




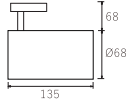
Driver:
HEP


Photometric

<p>CXA 1512/1507 24D max. 1700cd/klm</p> 	<p>PHILIPS MASTER LEDTRACK SPOTMV 5.5-50W 25D GU10 Max. 1211cd</p> 
<p>D8121-ZB38 24D max. 2100cd/klm</p> 	<p>OSRAM GU10 PAR16 6.8W 2500-24D Max. 4000cd/klm</p> 


BL-D8111









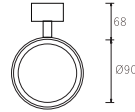
ZA3A
 CREE XLamp CXA 1512
 3000K Ra>80
 350mA LED Driver
 1 x 15W 1290lm 24°







BL-D8121










ZA3A
 CREE XLamp CXA 2520
 3000K Ra>80
 500mA LED Driver
 1 x 20W 1900lm 24°





ZB3A
 CREE XLamp CXA 2520
 3000K Ra>80
 700mA LED Driver
 1 x 30W 2500lm 24°







1-Phase

3-Phase

TRACK ACCESSORIES

- Options: 1-Phase/3-Phase
- Options: 1 Meter/1.5 Meter/2 Meter
- Options color: Black/White

1-PHASE TRACK ACCESSORIES



Straight connector MINI



L-Connector



T-Connector



X-Connector

3-PHASE TRACK ACCESSORIES



Straight connector MINI



L-Connector



T-Connector



X-Connector